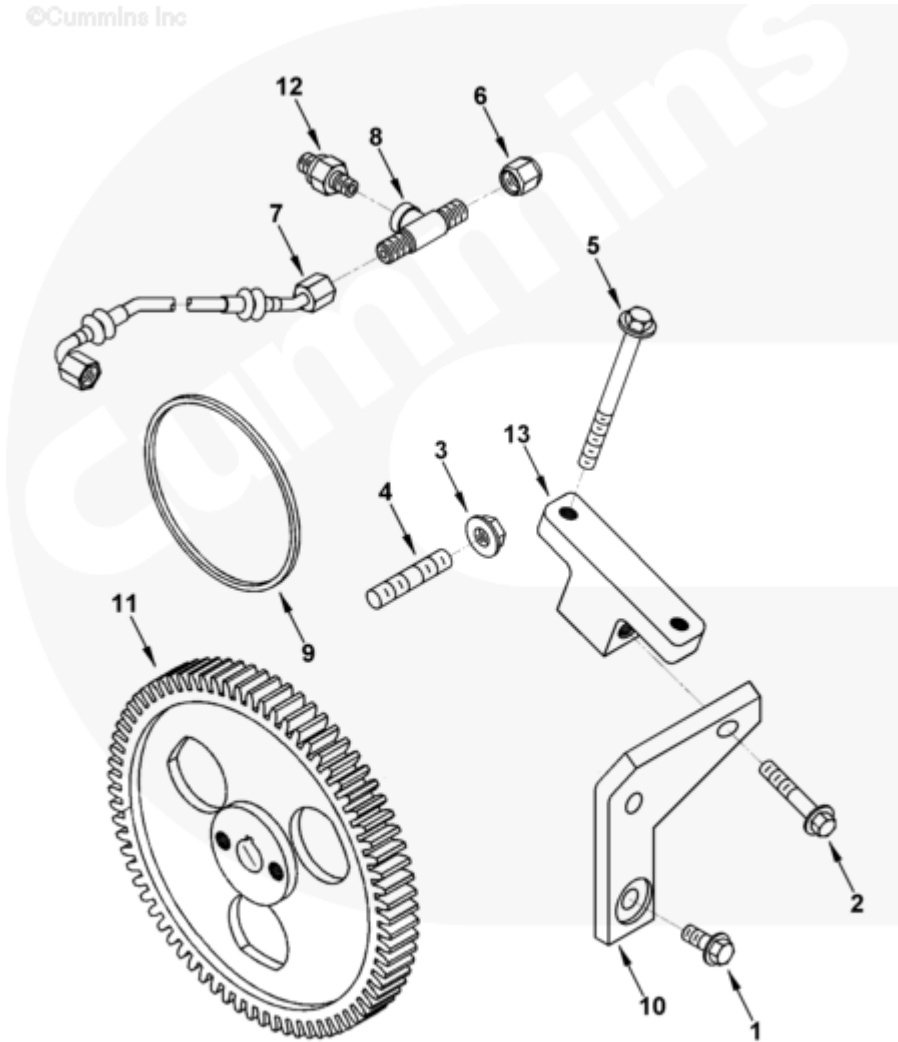




Parts Catalog - Option Detail

Electronic Parts Catalog - Option Detail				
Option	Group	Graphic	Film Card	Date
FP98585-02	09.01	fp955gr	T	16-APR-02
Engines	4B3.9, 6A3.4, 6B5.9, B GAS INTERNATIONAL CM556, B4.5, B4.5 CM2350 B129B, B4.5 CM2350 B146C, B4.5 CM2350 B147B, B4.5 RGT, B4.5S, B5.9 G, B5.9 GAS PLUS CM556, B5.9 LPG, B5.9 LPG PLUS CM556, B6.7 CM2350 B121B, B6.7 CM2350 B135B, B6.7 CM2350 B136C, B6.7 CM2350 B148B, B6.7 G CMOH6.0 B125, B6.7N CM2380 B150B, B6.7S, F3.8 CM2350 F120B, F3.8 CM2350 F128C, F3.8 CM2350 F132B, F3.8 F102, G3.9, G5.9, G5.9 CM558, ISB (CHRYSLER), ISB CM2150, ISB CM2150 E, ISB CM550, ISB CM850, ISB/ISD4.5 CM2150 B119, ISB/ISD4.5 CM2150 SN, ISB/ISD6.7 CM2150 B120, ISB/ISD6.7 CM2150 SN, ISB/ISD6.7 CM2880 B126, ISB3.9 CM2220 B107, ISB4.5 CM2150, ISB5.9G CM2180, ISB6.7 2010 DCX PICKUP, ISB6.7 2013 DCX CHASSIS CAB, ISB6.7 CM2150 SQ, ISB6.7 CM2250, ISB6.7 CM2350 B101, ISB6.7 CM2350 B103, ISB6.7 CM2350 B142, ISB6.7 CM2670 B153B, ISB6.7 G CM2180 B118, ISBE CM2150, ISBE CM800, ISBE2/ISBE3 CM850, ISBE4 CM850, ISD4.5 CM2150, ISD6.7 CM2880 D101, ISF2.8 CM2220, ISF2.8 CM2220 AN, ISF2.8 CM2220 EC, ISF2.8 CM2220 ECF2, ISF2.8 CM2220 F101, ISF2.8 CM2220 F117, ISF2.8 CM2220 F122, ISF2.8 CM2220 F126, ISF2.8 CM2220 F129, ISF2.8 CM2220 IAN, ISF3.8 CM2220, ISF3.8 CM2220 AN, ISF3.8 CM2220 F103, ISF3.8 CM2220 F110, ISF3.8 CM2220 F116, ISF3.8 CM2220 F134B, ISF3.8 CM2220 IAN, ISF3.8 CM2350 F109, ISF4.5 CM2220 F123, ISG11 CM2880 G106, ISG11 CM2880 G108, ISG12 CM2880 G107, ISG12 CM2880 G109, ISG12 G CMOH6.0 G111, QSB3.9 30 CM550, QSB3.9 CM2880 B138, QSB4.5 30 CM550, QSB4.5 CM2150 B108, QSB4.5 CM2250 B131, QSB4.5 CM2250 EC, QSB4.5 CM2350 B106, QSB4.5 CM2350 B122			



fp955gr

[SMALL](#) | [MEDIUM](#) | [LARGE](#)

Cart	Ref No	Part Number	Part Description	Required	Remarks
<div style="border: 1px solid black; padding: 2px; display: inline-block;">View My Cart</div>					
		FP98585-02	Fuel Pump Coupling		Fuel Pump Coupling...(More)
					Engine Family: "B" Series
					Governor Type: RQVK
					Provision For Air Compressor:
					Yes
					Fuel Pump Supports
					Provided: Yes
					Boost Control Provision: Yes
					Engine Cylinders: 6

					Structure Code: 02 EBM
					Fuel Pump
					Manufacturing/Model:
					Bosch P3000
					Bosch P7100
					Aspiration:
					Turbocharger, Aftercooler
					Note: This FP Includes a
					special higher, strength
					copper infiltrated fuel pump
					brace which also has better
					corrosion protection over the
					standard powdered metal
					component.
<input type="checkbox"/>	1	3900630	Hexagon Flange Head Cap Screw	2	M8 X 1.25 X 20
<input type="checkbox"/>	2	3901445	Hexagon Flange Head Cap Screw	1	M8 x 1.25 x 45
<input type="checkbox"/>	3	3902662	Hexagon Flange Nut	4	M10 x 1.50
<input type="checkbox"/>	4	3937123	Double End Plain Stud	4	M10 x 1.50 (Both Ends) x 50
<input type="checkbox"/>	5	3913366	Hexagon Flange Head Cap Screw	2	M8 X 1.25 X 90.
<input type="checkbox"/>	6	3921556	Tube Cap	1	
<input type="checkbox"/>	7	3923083	Flexible Hose	1	
<input type="checkbox"/>	8	3933291	Female Branch Tee	1	
<input type="checkbox"/>	9	3924605	Rectangular Ring Seal	1	
<input type="checkbox"/>	10	3928876	Fuel Pump Brace	1	
<input type="checkbox"/>	11	3931382	Fuel Pump Gear	1	
<input type="checkbox"/>	12	3941472	Male Union	1	
<input type="checkbox"/>	13	4003580	Fuel Pump Brace	1	